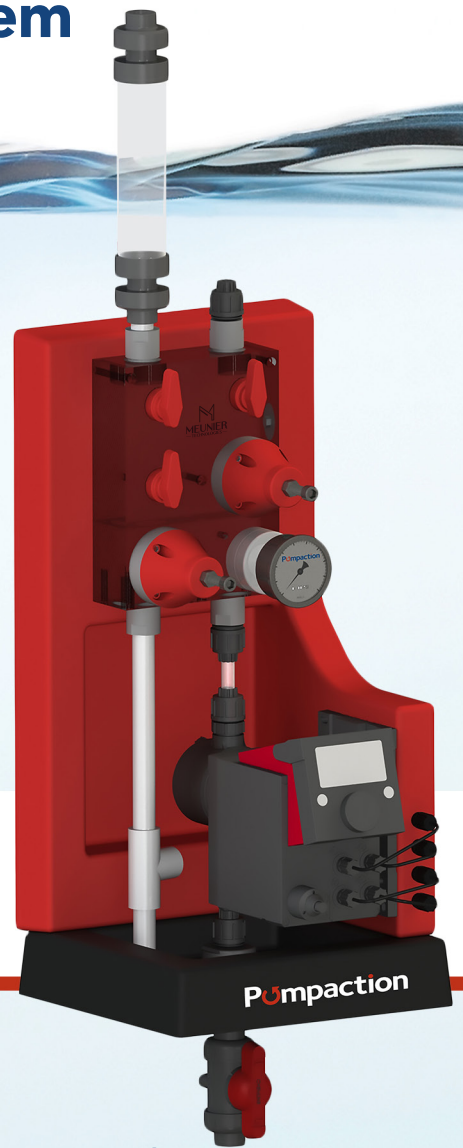




# DcPac™

**Durable and Ultra-compact  
Dosing System**



**Pumpaction**

In collaboration with  
Grundfos and Meunier Technologies

**GRUNDFOS** 

  
**MEUNIER**  
— TECHNOLOGIES —



## Introducing the DcPac™. Our Exceptionally Durable and Ultra-compact Dosing System

The low maintenance DcPac™ dosing system represents a new level of efficiency for municipalities by helping them save time spent managing and servicing equipment. The ultra-compact design offers a less cluttered, more efficient operational set-up by minimizing the space requirements of the system in both retrofitted and new treatment plants.

### Innovation and Collaboration

To better meet your requirements, Pumpaction is working with leaders in the fields of pumping and dosing technology.

Working in close collaboration, Pumpaction, Meunier Technologies and Grundfos provide technical innovation and extensive system knowledge to ensure optimal equipment selection, installation and start-up. In addition, after-sales service and support ensures your system will continue to achieve top performance as expected.



### Meunier Technologies Dosing Module

- See-through machined acrylic module for hands-on intuitive operation
- Durability due to its rigid structure
- Ultra-compact design minimizes footprint
- Fewer connection points for improved reliability
- Pump calibration with the exact suction lift and discharge pressure



- Possibility of having no threaded connections
- Ease of module replacement due to its standard dimensions

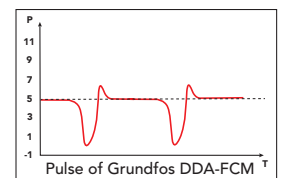
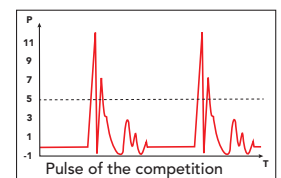
Meunier Technologies dosing module

### GRUNDFOS Grundfos DDA-FCM Digital Dosing Pump

- Variable step-by-step motor
- Internal stroke speed control
- 1:3000 pumping ratio
- Flow control with diagnosis
- Flow rate and pressure measurement
- AutoFlowAdapt to adapt the pump's flow to operating conditions
- Flow up to 58 gph (200 l/h)



Grundfos DDA-FCM



# DcPac™

Calibration column

Ultra-light polyethylene dosing panel

Ball valve for calibration

Safety purging system

Adjustable pressure relief valve

Purge or cleaning function

Integrated spill-proof tray

Unit dimensions:

12" D

12" L

Discharge port

See-through machined acrylic module

Ball valve for outlet

Auxiliary cleaning ports

Adjustable back pressure valve

Pressure gauge with isolator

Guaranteed airtight joints

Extremely precise DDA pump with intelligent digital control

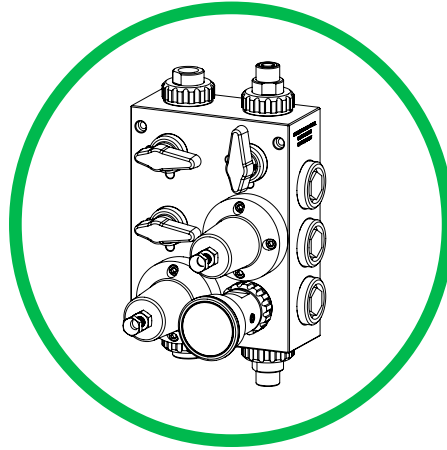
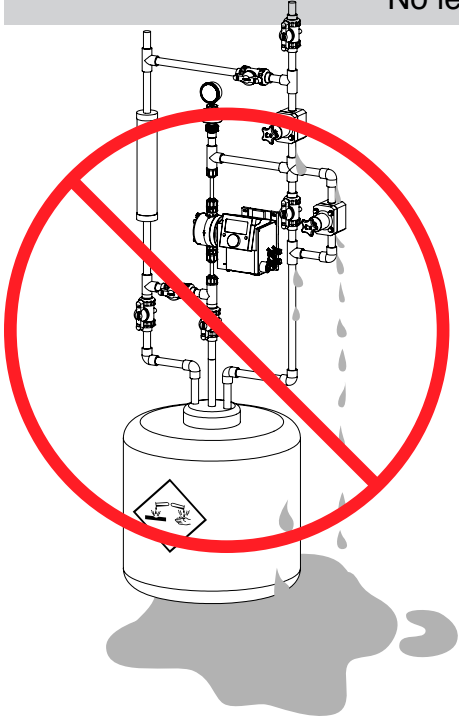
Linear suction to limit gas accumulation

24" H

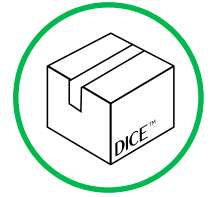


# REINVENTING THE CHEMICAL DOSING SYSTEM

No leaks



One box product



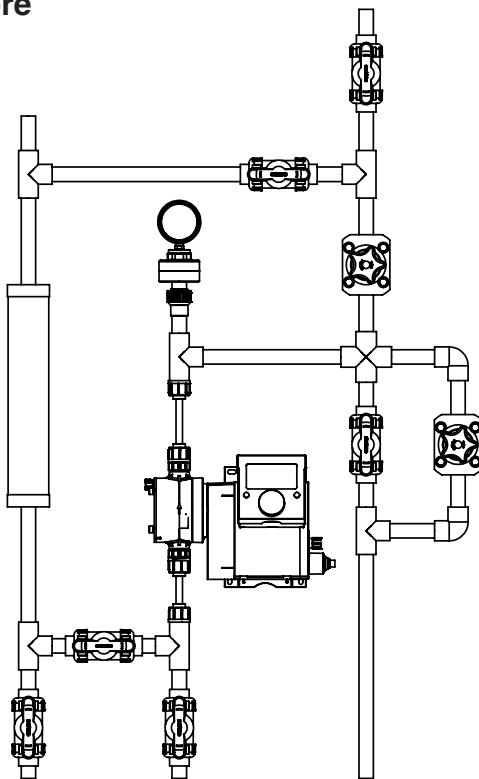
No maintenance



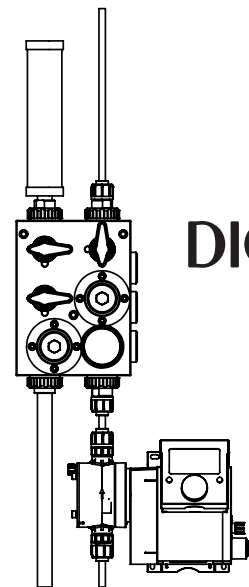
## INTRODUCING DICE™



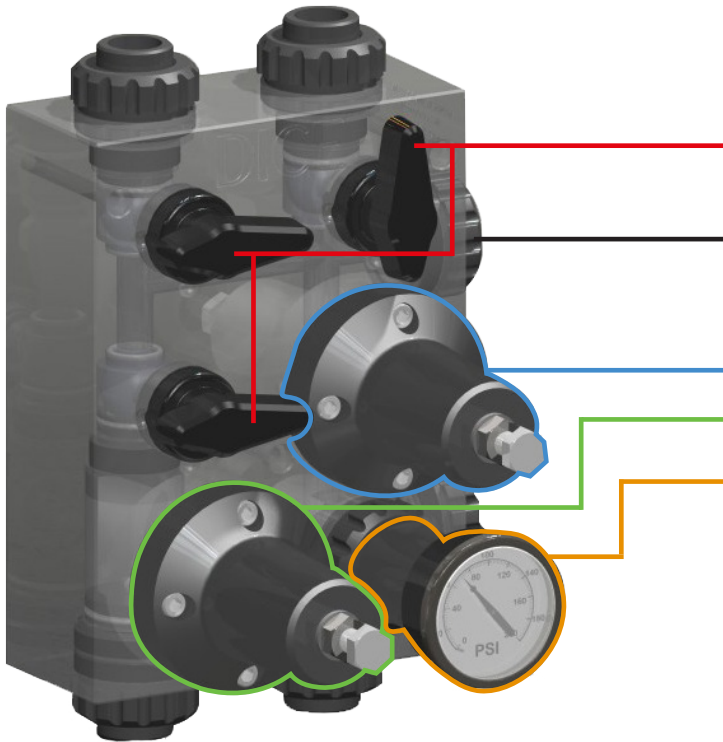
Before



Now



DICE™



## FEATURES

- **Integrated:**

- Ball valves for outlet, calibration column, and drainage

- Auxiliary ports: pulsation dampener, washing port, transport/dilution water and secondary pumps

- Adjustable back pressure valve

- Adjustable pressure relief valve

- Pressure gauge with isolator

- Standard design that fits all your essential needs
- Extensive reliability and durability
- No threaded or glued connections
- Extremely compact design resulting in minimal footprint
- With only 3 supporting bolts and 4 connections, the module can easily be installed on new and existing systems (retrofit).
- Possibility of having only 1 Dosing module for 3 pumps (1 injection point, 3 pumps)
- Capability of calibrating the pump with the correct suction head and discharge pressure

### Patent Pending

The DICE™ Dosing Module integrates all the necessary discharge components required for a typical chemical dosing system. The block type design allows for a rigid, compact and reliable product. The significantly reduced number of connections is a major benefit as it greatly decreases the leakage potential. The module allows for better precision and protection in the dosing system. It also features great quality due to its machined fabrication.

The Dosing Module overcomes the many fundamental problems of the current piping system design such as: poor quality of the piping connections, many potential leakage points, excessive vibration caused by the pump pulsation (which leads to mechanical fatigue on connections and components) and the unjustified large footprint required.

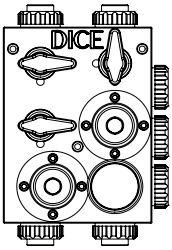
## TECHNICAL INFORMATION

<b>Sizes</b>	1/2", 1"	<b>Diagram Material*</b>	VITON, EPDM
<b>Connections</b>	Hose, Socket, NPT	<b>Seal Material*</b>	VITON, EPDM
<b>Body Material*</b>	Clear Acrylic (PMMA), PVC	<b>Pressure Relief Valve Adjustment Range</b>	0 @ 150 psi
<b>Component Material*</b>	PVC	<b>Back Pressure Valve Adjustment Range</b>	0 @ 250 psi
<b>Valve Seat Material*</b>	PTFE	<b>Pressure Gauge</b>	
<b>Valve Handle Material*</b>	Black ABS		

\*Other material can be supplied on request.

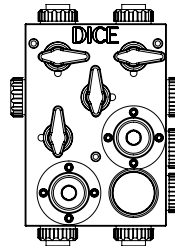
## TYPICAL INTEGRATION





# DICE™ DS

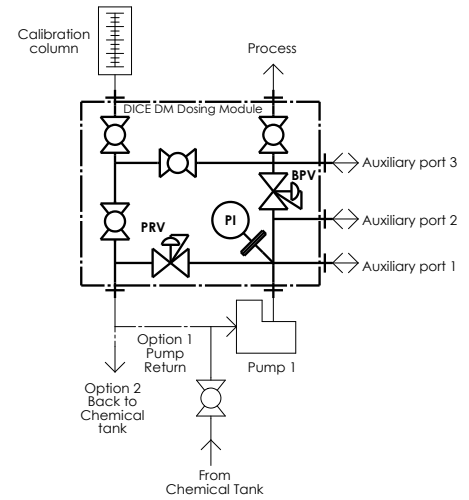
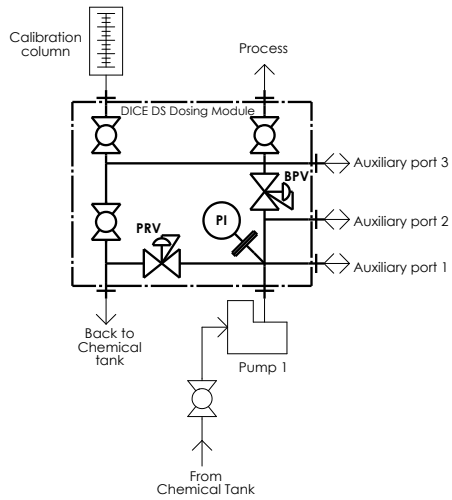
NON FLOODED SUCTION



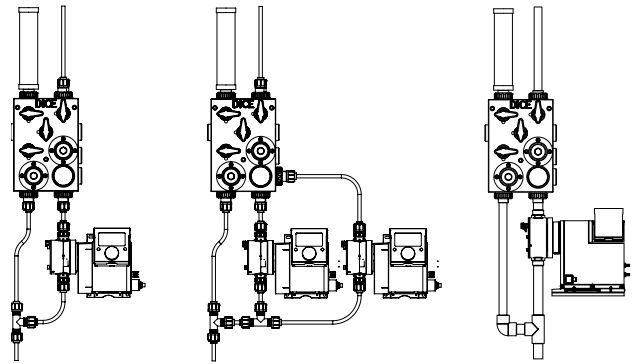
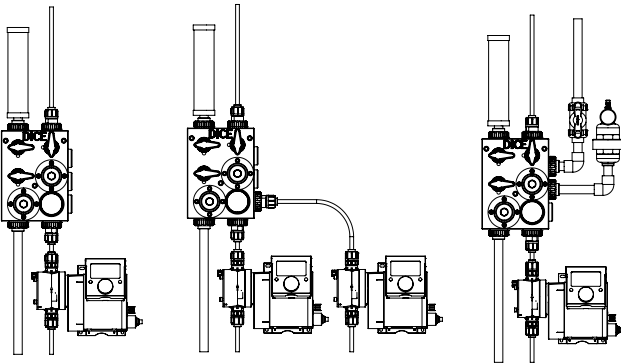
# DICE™ DM

FLOODED SUCTION

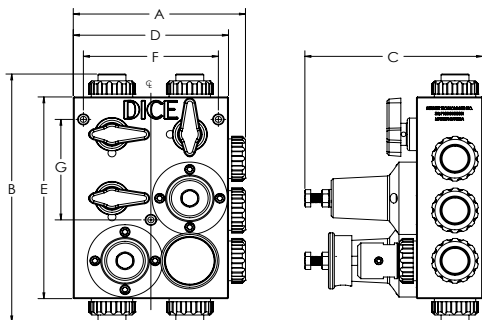
## P&ID



## TYPICAL INSTALLATIONS



## DIMENSIONS



DIMENSIONS mm (in)								
Size		A	B	C	D	E	F	G
1/2	DS	178,7 (7.03)	280,8 (11.05)	193,4 (7.61)	168,9 (6.65)	228,6 (9.00)	146,9 (5.78)	119,4 (4.70)
	DM	218,6 (8.61)	312,5 (12.30)	193,4 (7.61)	181,6 (7.15)	260,3 (10.25)	159,6 (6.28)	145,7 (5.73)
1	DM	266 (10.47)	372 (14.65)	227,1 (8.94)	222 (8.74)	292 (11.50)	194 (7.64)	180,3 (7.10)

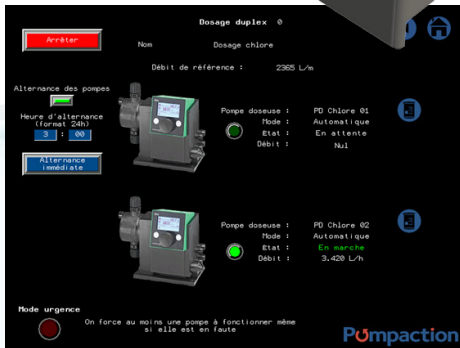


## Controls and Instrumentation by Pumpaction



The ControlPac™ multifunction controller is a versatile control system, enabling management, supervision and data acquisition for all pumping, boosting, dosing and water treatment systems, with the option of managing auxiliary equipment.

The ControlPac™ comes completely assembled, programmed and factory tested. The control circuit uses advanced algorithms to protect low-flow pumps. Specific pump data helps optimize process efficiency and energy consumption.



ControlPac™

- Multifunction controllers for pumps and auxiliary equipment
- Advanced functionalities
- Flexible configuration and operation
- Automated pump alternation
- Alarm and error management
- Integrated communication

With over 30 years experience, Pumpaction has a proven track record as a municipal and industrial water pumping and dosing specialist.

We offer a full range of products and services to meet your needs. With the award-winning capabilities of our ECOefficiency DosaPac™ and now, with the addition of the durable and ultra-compact DcPac™, Pumpaction changes the way municipalities can retrofit their existing water systems and helps redefine the efficiency and space requirements of new treatment plants.

# Pumpaction

## PITTSBURGH

886 Twilight Hollow Road, Suite 5  
Charleroi, PA 15022  
United States  
P 724 684-8081 F 724 684-8089  
solutions@pumpactioncorp.com

[www.pumpaction.com](http://www.pumpaction.com)

## MONTREAL

119 Hymus Blvd.  
Pointe-Claire, Quebec H9R 1E5  
Canada  
P 514 697-8600 F 514 697-0343  
montreal@pumpaction.com